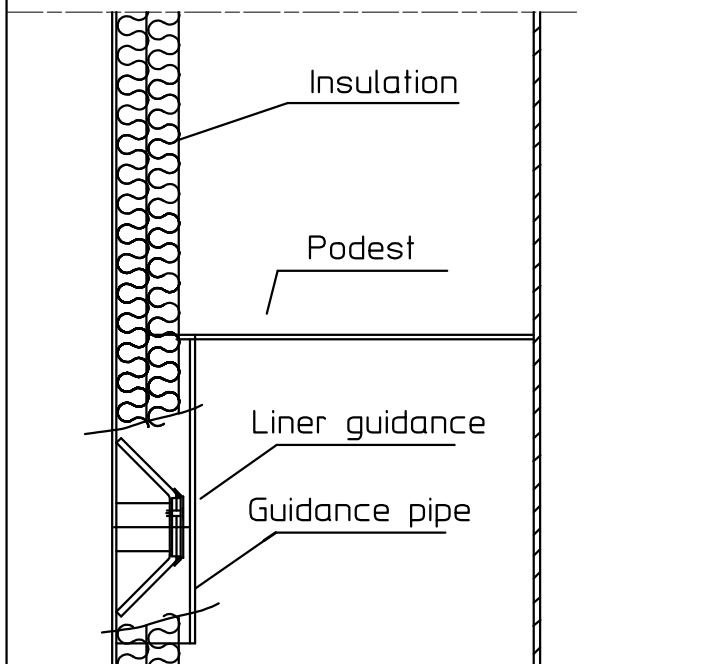
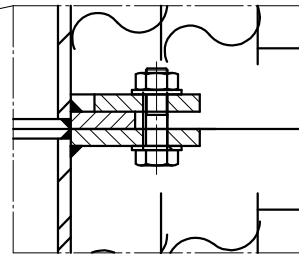
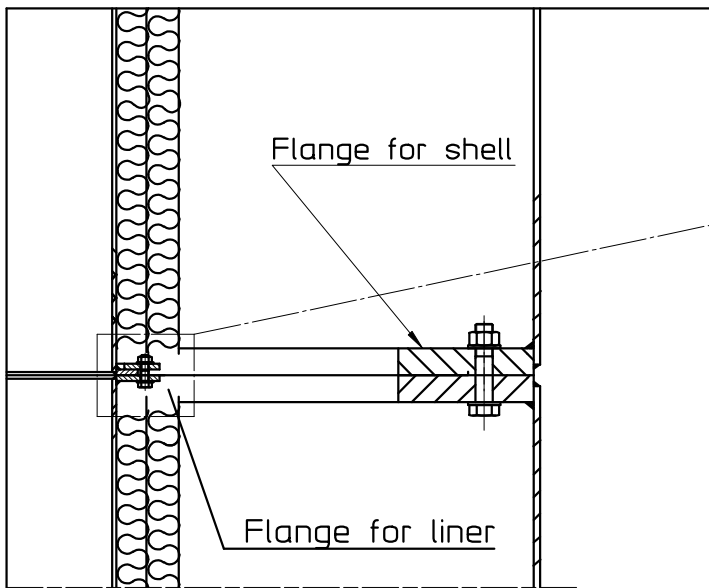


Flanged joints



Flanged joints - Internal

Flanged joint with liner guidance, guidance pipe and platform. Flange for shell and flange for liner as screw joint. Flange for liner can also be carried out as welding joint depending on liner dimension. Afterwards welded from the inside.

Flanged joints - internal.
GB9

Steelcon