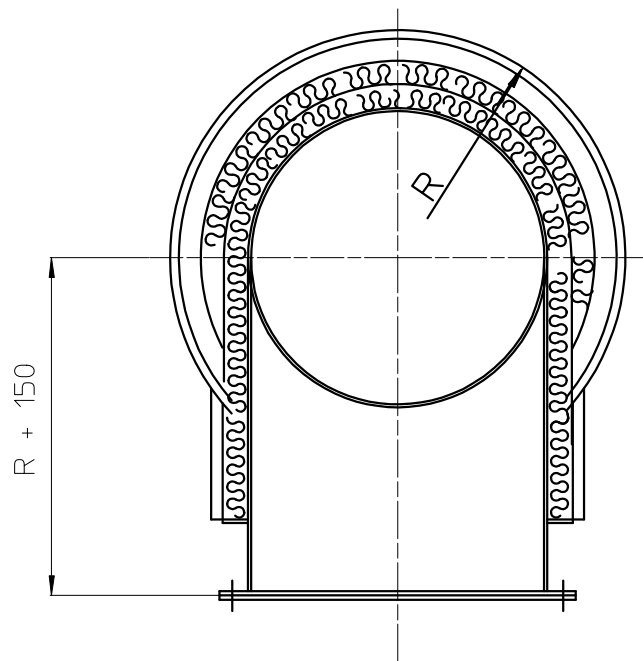


Connecting branch for flue gas with flanged joint, counter flange, screws og packing - workshop norm.



Detail Entrance
GB7

Steelcon